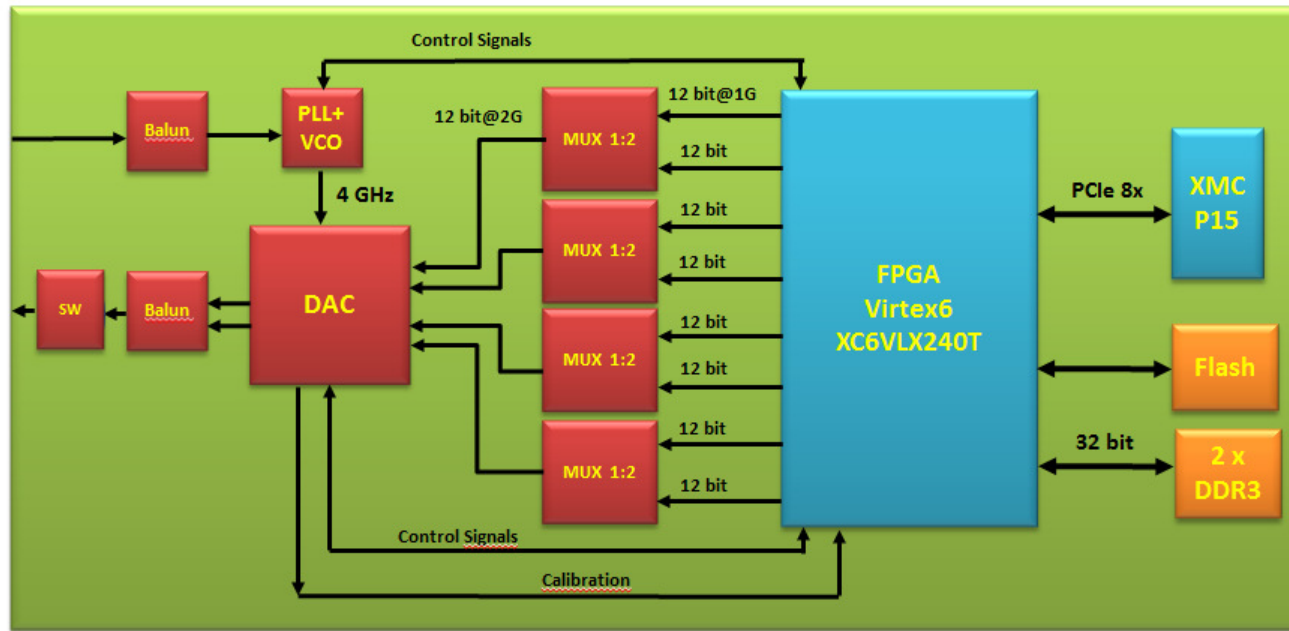


# HS DAC XMC Board



- VITA 42.3 compliant;
- Output BW: (0 – 4) GHz;
- Single-Ended Output (AC-coupled analog signal);
- Flexible clock tree enables:
  - External Sampling Clock up to 4 GHz;
  - External Reference Clock for DAC Sampling Clock;
- Sampling Clock: 8 GSps;
- DAC Resolution: 12 bits;
- DAC Self-Calibration;
- FPGA: Virtex-6 XC6VLX240T by Xilinx;
- PCIe 4x;
- DDR3 Memory: 256 MB;
- Conduction Cooled – Standard Option.