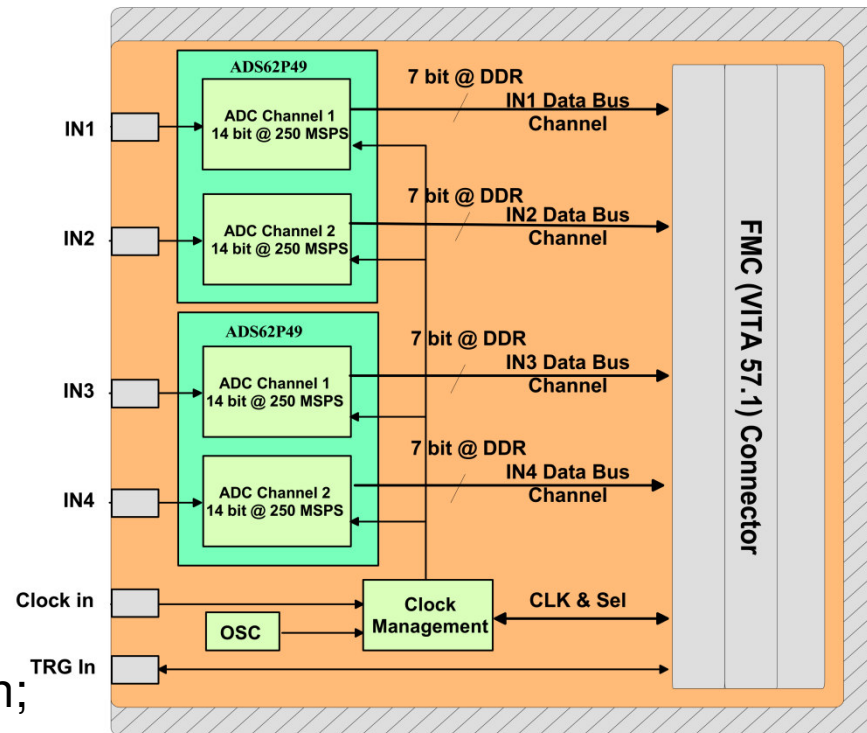


FMC Board QUAD ADC

- Two Dual ADCs ADS62P49 by T.I.:

- N. Bit 14;
- Max clock 250 MHz;
- Input Bandwidth selection (opz.);
- Instantaneous Bandwidth 500 MHz;
- Power Dissipation 1.25 W;
- SFDR:
 - $f_{in} = 170 \text{ MHz}$ 95 dBc (typ)
- SINAD:
 - $f_{in} = 170 \text{ MHz}$ 70 dBFS (typ)
- Industrial range (-40°;+85°C);
- Conformal Coating (opz);
- Anti-Sulfur Resistor type.

- External or internal Clock Generation;
- Input Trigger signal.



FMC Board ADC & DAC

- Two ADC Channel;

- ADS62P49 Dual ADC by T.I.:
 - N. Bit 14;
 - Input Bandwidth selection (opz.);
 - Max clock 250 MHz;
 - Instantaneous Bandwidth 500 MHz;
 - Power Dissipation 1.25 W;
 - Industrial range (-40°;+85°C);
 - Conformal Coating (opz.);
 - Anti-Sulfur Resistor type.

- One DAC Channel;

- DAC3162 DAC by T.I.:
 - N bit 12;
 - Input Bandwidth selection (opz.);
 - Max clock 500 MHz;
 - Power Dissipation 1.3 W (typ);
 - Industrial range (-40°;+85°C);
 - Conformal Coating (opz.);
 - Anti-Sulfur Resistor type.

- External or internal Clock Generation;

- Input Trigger signal.

